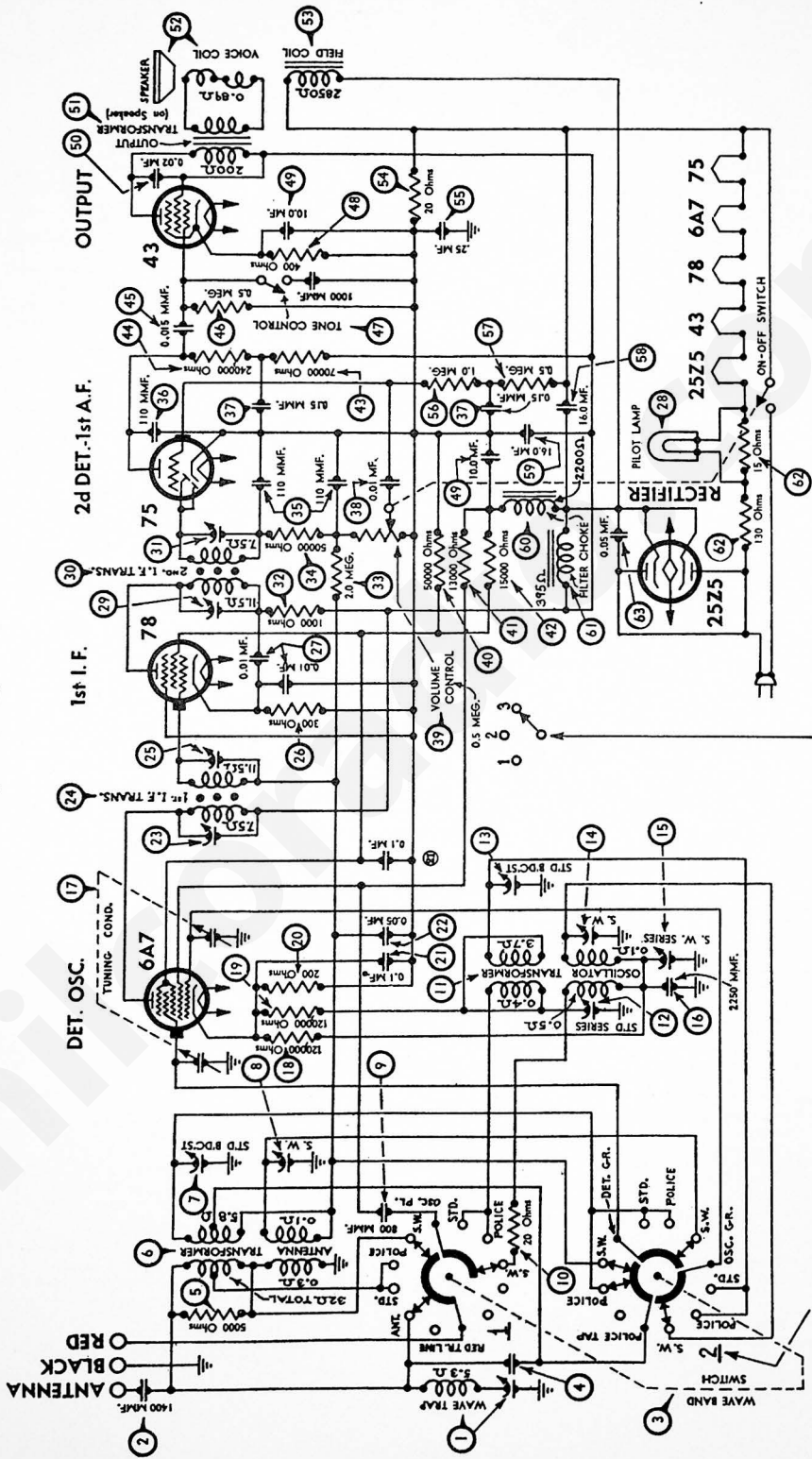
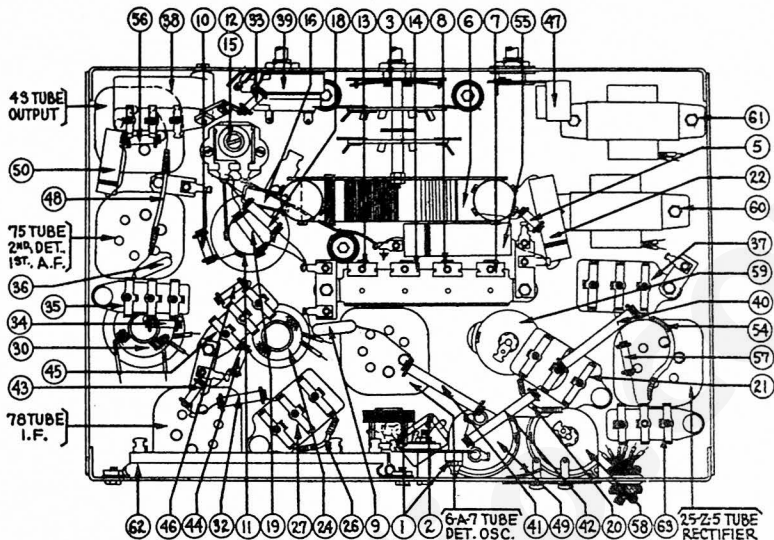


MODEL 611 (A.C. - D.C.)



All Switch Sections Shown
in Position No. 3

Numbers Indicate Relative Positions
of Switch Sections
as Seen from Front of Chassis



REPLACEMENT PARTS—MODEL 611

Nos. in
Figs. 3 & 4

| Nos. in Figs. 3 & 4 | Description | Part No. |
|------------------------|--|-----------------|
| ① | Wave Trap..... | 33-6850 |
| ① | Condenser (.0014 Mfd. Mica)..... | 7007 |
| ① | Waveband Switch..... | 42-1112 |
| ① | Condenser—Capacity Obtained by Twisted Wires..... | |
| ① | Resistor (5000 ohms) (Green, Black, Red)..... | 33-1001 |
| ① | Antenna Transformer..... | 32-1781 |
| ① | Compensating Condenser (Antenna, Standard)..... | Part of 31-6047 |
| ① | Compensating Condenser (Antenna S.W.)..... | Part of 31-6047 |
| ① | Condenser (.00025 Mfd. Mica)..... | 5858 |
| ① | Resistor (20 ohms) (Red, Black, Black)..... | 33-1206 |
| ① | Oscillator Transformer..... | 33-1831 |
| ① | Compensating Condenser (Osc. L.F. Standard)..... | Part of 31-6027 |
| ① | Compensating Condenser (Osc. H.F. Standard)..... | Part of 31-6047 |
| ① | Compensating Condenser (Osc. S.W. H.F. End)..... | Part of 31-6047 |
| ① | Compensating Condenser (Osc. S.W. L.F. End)..... | Part of 31-6027 |
| ① | Condenser (.00225 Mfd. Mica)..... | 30-1065 |
| ① | Tuning Condenser Assembly..... | 31-1528 |
| ① | Resistor (120000 ohms) (Brown, Red, Yellow)..... | 33-1128 |
| ① | Resistor (120000 ohms) (Brown, Red, Yellow)..... | 33-1128 |
| ① | Resistor (200 ohms Flexible) (Red, Black, Black)..... | 7317 |
| ① | Condenser (.1 Mfd. Twin Bakelite Block)..... | 4989-DQ |
| ① | Condenser (.05 Mfd. Tubular)..... | 30-4030 |
| ① | Compensating Condenser (1st I.F. Primary)..... | Part of ④ |
| ① | 1st I.F. Transformer..... | 32-1671 |
| ① | Compensating Condenser (1st I.F. Secondary)..... | Part of ④ |
| ① | Resistor (300 ohms Flexible) (Orange, Black, Black)..... | 33-3010 |
| ① | Condenser (.1 Mfd. & .01 Mfd. Bakelite Block)..... | 4989-FU |
| ① | Pilot Lamp..... | 34-2068 |
| ① | Compensating Condenser (2d I.F. Primary)..... | Part of ④ |
| ① | 2d I.F. Transformer..... | 32-1672 |
| ① | Compensating Condenser (2d I.F. Secondary)..... | Part of ④ |
| ① | Resistor (1000 ohms) (Brown, Black, Red)..... | 8837 |
| ① | Resistor (2 Mega.) (Red, Black, Green)..... | 33-1025 |
| ① | Resistor (50000 ohms) (Green, Brown, Orange)..... | 6008 |
| ① | Condenser (.00011 Mfd. Twin Bakelite Block)..... | 8055-DU |
| ① | Condenser (.00011 Mfd. Mica)..... | 30-1031 |
| ① | Condenser (.15 Mfd. Twin Bakelite Block)..... | 6287-DU |
| ① | Condenser (.01 Mfd. Bakelite Block)..... | 3908-SU |
| ① | Volume Control & On-Off Switch..... | 33-8114 |

Nos. in
Figs. 3 & 4

| Nos. in Figs. 3 & 4 | Description | Part No. |
|------------------------|--|----------|
| ① | Resistor (50000 ohms) (Green, Brown, Orange)..... | 4237 |
| ① | Resistor (13000 ohms) (Brown, Orange, Orange)..... | 3766 |
| ① | Resistor (15000 ohms) (Brown, Green, Orange)..... | 5278 |
| ① | Resistor (70000 ohms) (Violet, Black, Orange)..... | 33-1115 |
| ① | Resistor (240000 ohms) (Red, Yellow, Yellow)..... | 33-1097 |
| ① | Condenser (.015 Mfd. Bakelite Block)..... | 3793-SU |
| ① | Resistor (.5 Meg.) (Yellow, White, Yellow)..... | 6097 |
| ① | Tone Control..... | 30-4345 |
| ① | Resistor (400 ohms Flexible) (Yellow, Black, Black)..... | 33-3016 |
| ① | Condenser (Electrolytic—10 Mfd., 10 Mfd.)..... | 30-2125 |
| ① | Condenser (.02 Mfd. Tubular)..... | 30-4215 |
| ① | Output Transformer..... | 32-7396 |
| ① | Cone & Voice Coil Assembly (S-15 Speaker)..... | 36-3157 |
| ① | Field Coil & Pot Assembly (S-15 Speaker)..... | 36-3519 |
| ① | Resistor (20 ohms Flexible) (Red, Black, Black)..... | 33-1206 |
| ① | Condenser (.25 Mfd. Tubular)..... | 30-4146 |
| ① | Resistor (1 Meg.) (Brown, Black, Green)..... | 33-1096 |
| ① | Resistor (.5 Meg.) (Yellow, White, Yellow)..... | 6097 |
| ① | Condenser (Electrolytic, 10 Mfd.)..... | 30-2124 |
| ① | Condenser (Electrolytic, 10 Mfd.)..... | 30-2124 |
| ① | Filter Choke..... | 33-7018 |
| ① | Filter Choke..... | 32-7452 |
| ① | Resistor (15 ohms, 150 ohms—Wirewound)..... | 33-3213 |
| ① | Condenser (.05 Mfd. Bakelite Block)..... | 3615-SU |
| ① | Dial Scale..... | 37-5097 |
| ① | Dial Hub and Set Screw Assembly..... | 31-1550 |
| ① | Dial Spring Clamp..... | 28-2837 |
| ① | Knob (Tone, Volume)..... | 27-4208 |
| ① | Knob (Waveband)..... | 27-4219 |
| ① | Knob (Station Selector)..... | 27-4206 |
| ① | Knob (Fine Tuning)..... | 27-4207 |
| ① | Socket (6 Prong)..... | 27-6036 |
| ① | Socket (7 Prong)..... | 27-6037 |
| ① | Base..... | 28-2928 |
| ① | Base Glass..... | 27-2887 |
| ① | Chassis Mtg. Screw..... | W-1496A |
| ① | Chassis Mtg. Washer..... | 27-4198 |
| ① | Tube Shield Body..... | 28-2726 |
| ① | Tube Shield Base..... | 28-2725 |